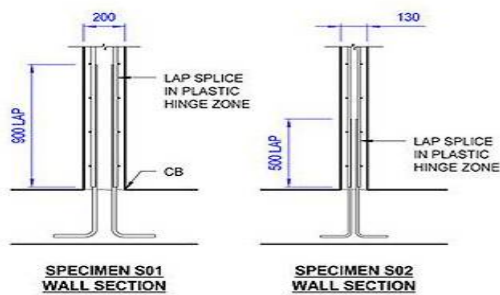
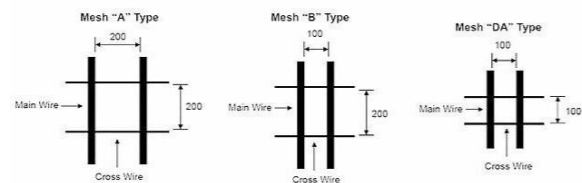


**LAPPING DETAILS:**



**MESH ORIENTATION:**



main address

**ENGINEER:**  
engineer ER

**PROJECT TITLE:**

1. OUR SIGNBOARD AND SINAGE ARE METICULOUSLY DESIGNED TO CAPTIVATE ATTENTION AND LEAVE  
 1. OUR SIGNBOARD AND SINAGE ARE METICULOUSLY DESIGNED TO CAPTIVATE ATTENTION AND LEAVE  
 1. OUR SIGNBOARD AND SINAGE ARE METICULOUSLY DESIGNED TO CAPTIVATE ATTENTION AND LEAVE  
 1. OUR SIGNBOARD AND SINAGE ARE METICULOUSLY DESIGNED TO CAPTIVATE ATTENTION AND LEAVE  
 1. OUR SIGNBOARD AND SINAGE ARE METICULOUSLY DESIGNED TO CAPTIVATE ATTENTION AND LEAVE

**PROJECT NAME:**

demo project

**DRAWING NO:**

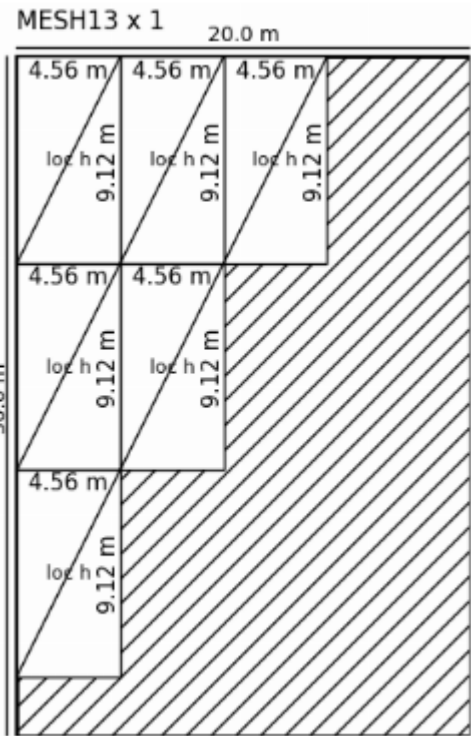
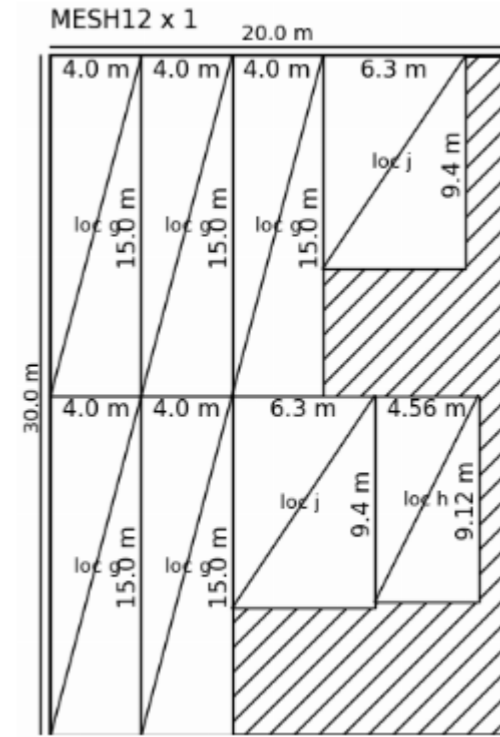
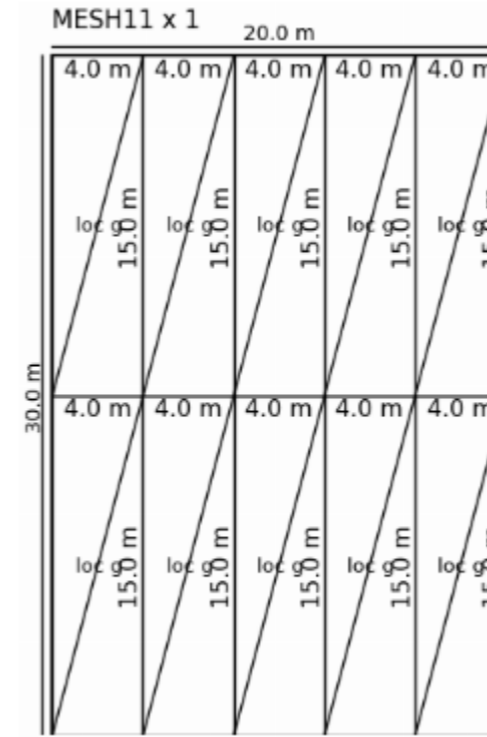
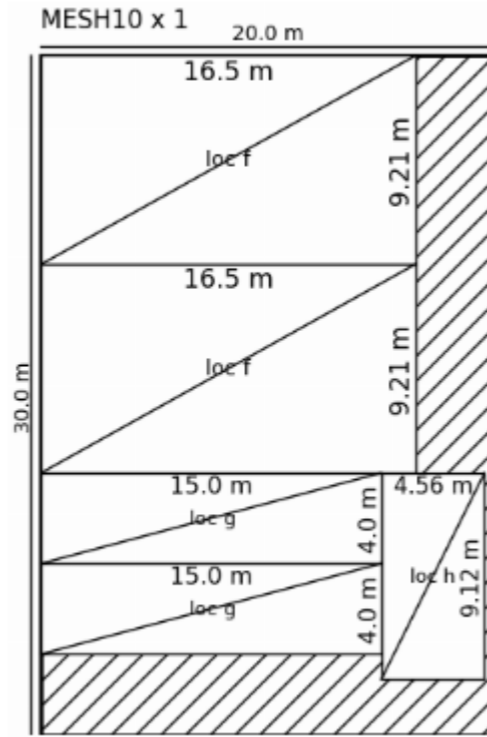
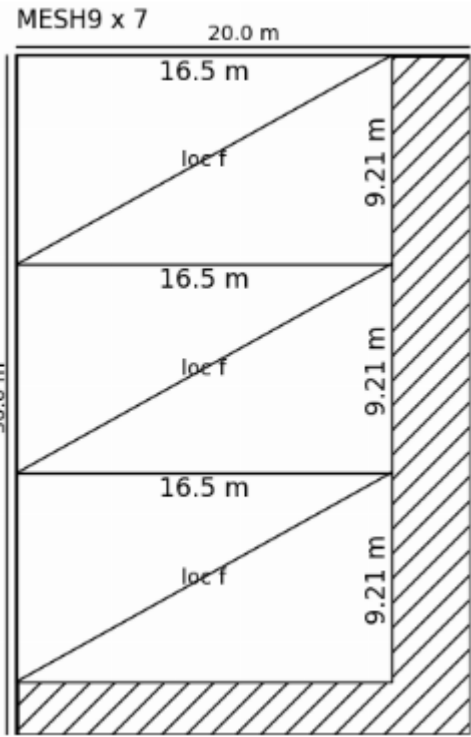
1\_2024\_DPR\_BSD\_634\_001

**DATE:**

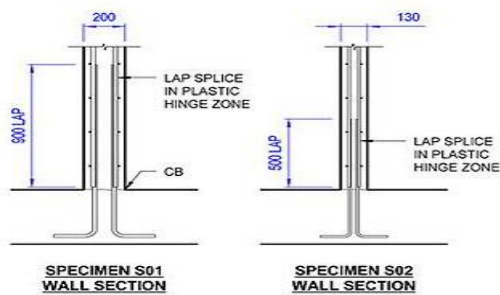
16th Dec 2024

**CHECKED BY:**

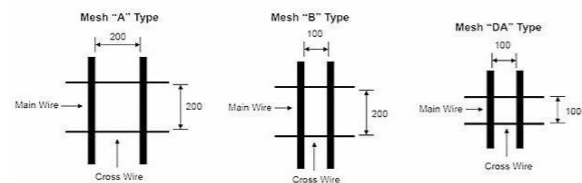
Daniel



**LAPPING DETAILS:**



**MESH ORIENTATION:**



main address

**ENGINEER:**  
engineer ER

**PROJECT TITLE:**

1. OUR SIGNBOARD AND SINAGE ARE METICULOUSLY DESIGNED TO CAPTIVATE ATTENTION AND LEAVE  
 1. OUR SIGNBOARD AND SINAGE ARE METICULOUSLY DESIGNED TO CAPTIVATE ATTENTION AND LEAVE  
 1. OUR SIGNBOARD AND SINAGE ARE METICULOUSLY DESIGNED TO CAPTIVATE ATTENTION AND LEAVE  
 1. OUR SIGNBOARD AND SINAGE ARE METICULOUSLY DESIGNED TO CAPTIVATE ATTENTION AND LEAVE  
 1. OUR SIGNBOARD AND SINAGE ARE METICULOUSLY DESIGNED TO CAPTIVATE ATTENTION AND LEAVE

**PROJECT NAME:**

demo project

**DRAWING NO:**

1\_2024\_DPR\_BSD\_634\_002

**DATE:**

16th Dec 2024

**CHECKED BY:**

Daniel